

# Časopis pro pěstování matematiky a fysiky

---

## Obrázky

Časopis pro pěstování matematiky a fysiky, Vol. 9 (1880), No. 4, [200a]

Persistent URL: <http://dml.cz/dmlcz/109292>

## Terms of use:

© Union of Czech Mathematicians and Physicists, 1880

Institute of Mathematics of the Academy of Sciences of the Czech Republic provides access to digitized documents strictly for personal use. Each copy of any part of this document must contain these *Terms of use*.



This paper has been digitized, optimized for electronic delivery and stamped with digital signature within the project *DML-CZ: The Czech Digital Mathematics Library* <http://project.dml.cz>

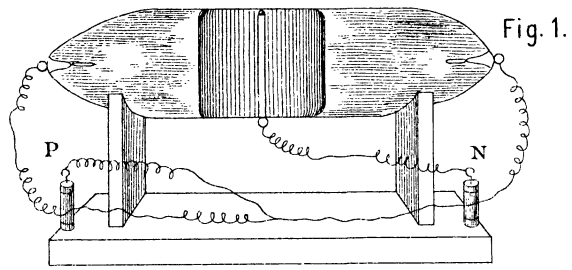


Fig. 1.

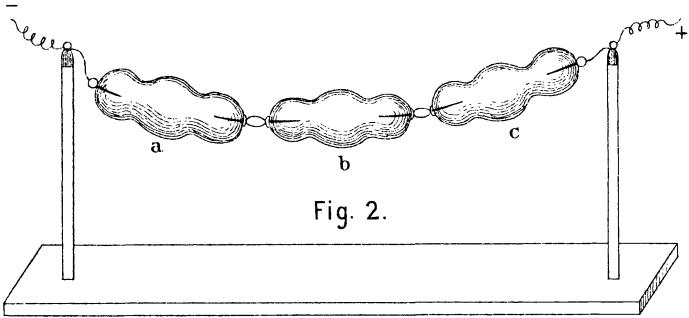


Fig. 2.

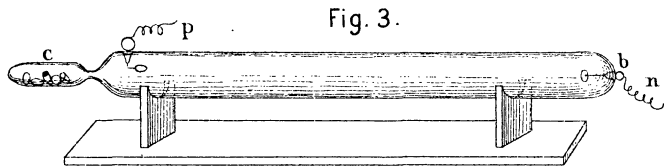


Fig. 3.

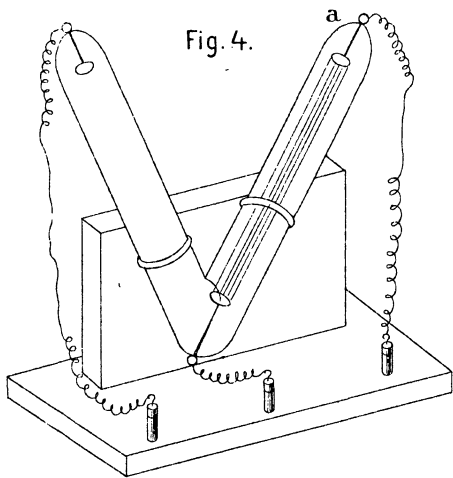


Fig. 4.

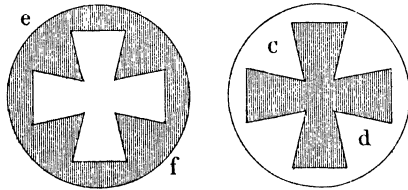


Fig. 7.

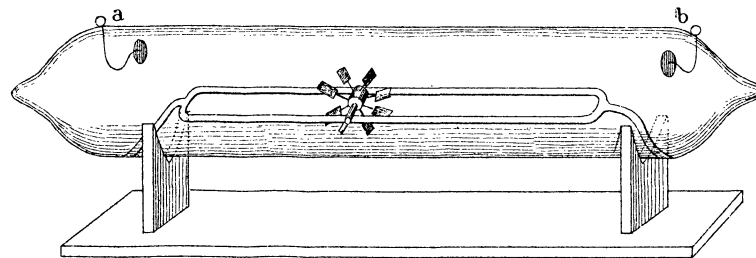


Fig. 8.

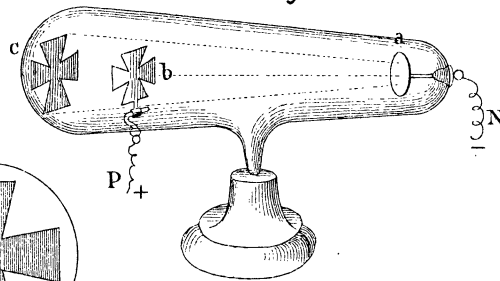


Fig. 6.

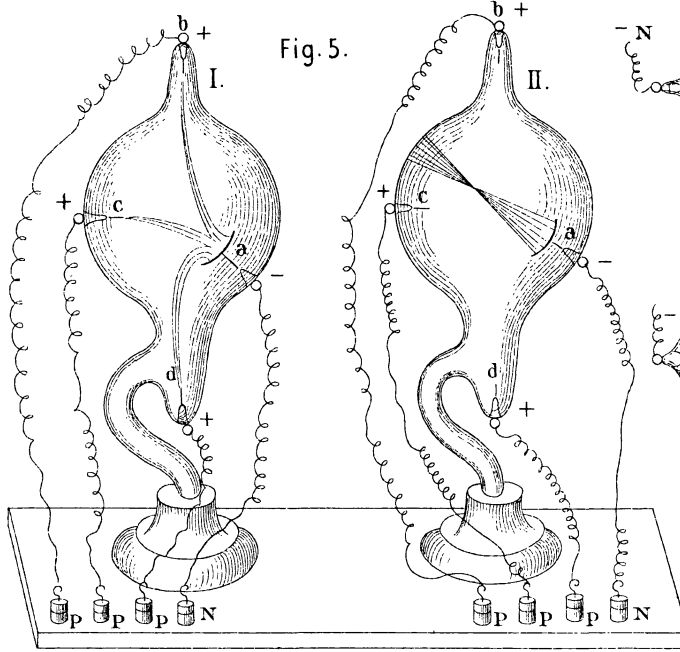


Fig. 5.

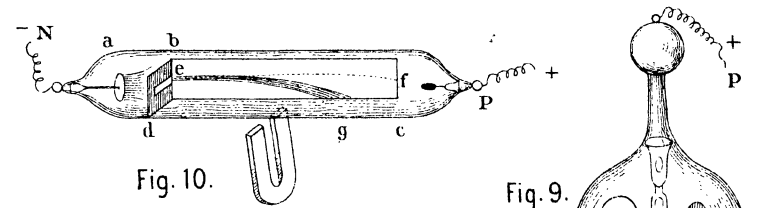


Fig. 10.

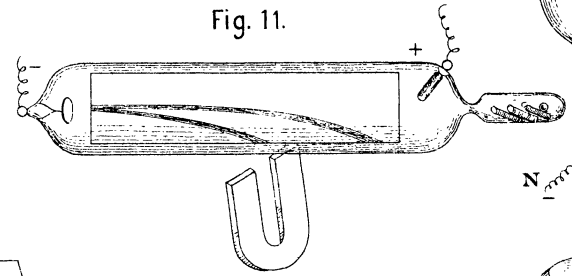


Fig. 11.

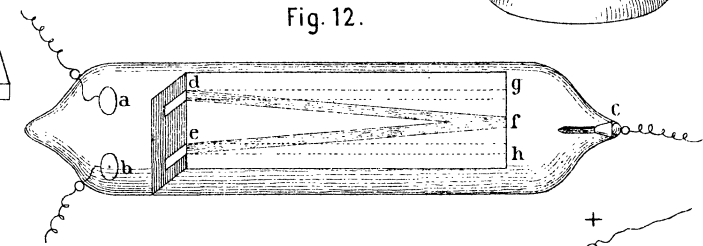


Fig. 12.

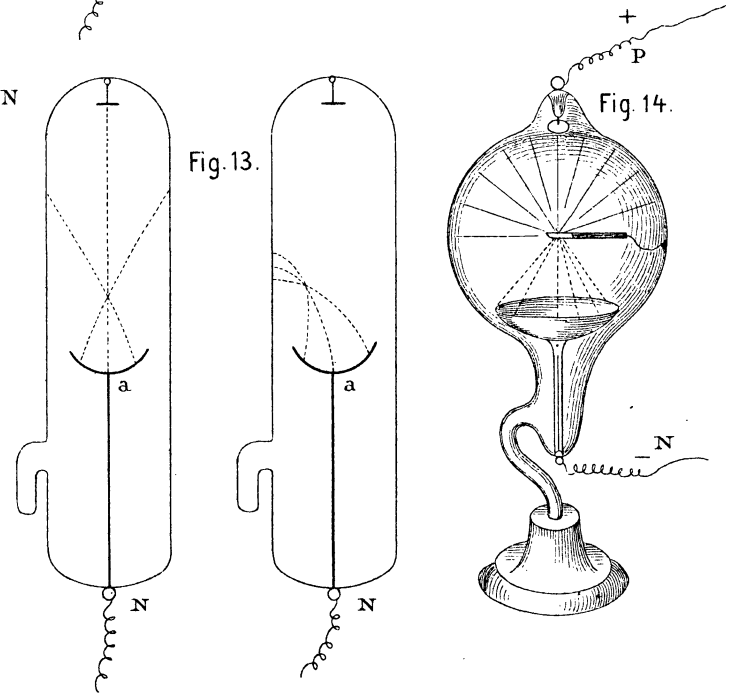


Fig. 13.

Fig. 14.